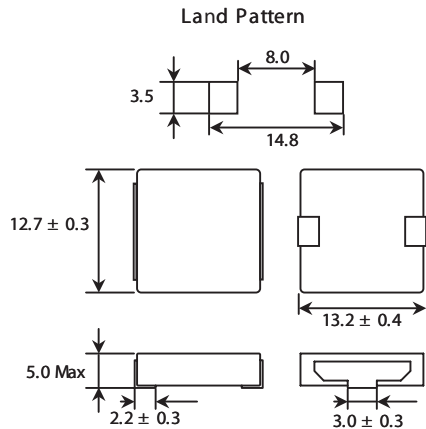


Mechanical Specification


Dimensions: mm

Special Features

- Shield construction
- Frequency range up to 5MHz
- Lowest DCR/uH
- Low buzz noise

Applications

- PDA/Notebook/Desktop/Server applications
- Low profile, high current power supplies
- Battery powered devices
- DC/DC converters for power system distribution

Notes

- Inductance : 100kHz, 100mV
- Tolerance of inductance : $\pm 20\%$
- Saturation rated current :
20% lower than its initial value
- Temperature rise current : $\Delta T = 40\%$
- Operating temperature : $-55^{\circ}\text{C} \sim 120^{\circ}\text{C}$
- All test data is referenced to 25°C ambient

Electrical Specification
VV-5700 SERIES

Part Number	Inductance (μH)	DCR (Typical, $\text{m}\Omega$)	DCR (Max, $\text{m}\Omega$)	Saturation Rated Current (Typical, A)	Temperature Rise Current (Typical, A)
VV-5700-R47	0.47	1.1	1.3	65.0	38.0
VV-5700-R82	0.82	2.0	2.3	53.0	31.0
VV-5700-1R0	1.00	2.1	2.5	50.0	29.0
VV-5700-1R5	1.50	3.4	4.1	48.0	23.0
VV-5700-1R8	1.80	4.2	4.9	40.0	19.0
VV-5700-2R2	2.20	4.6	5.5	32.0	20.0
VV-5700-3R3	3.30	7.7	9.2	32.0	15.0
VV-5700-4R7	4.70	12.8	15.0	27.0	12.0
VV-5700-5R6	5.60	14.0	16.5	22.0	11.5
VV-5700-6R8	6.80	15.4	18.5	21.0	11.0
VV-5700-8R2	8.20	18.9	22.5	18.0	9.5
VV-5700-100	10.00	21.4	25.5	16.0	9.0